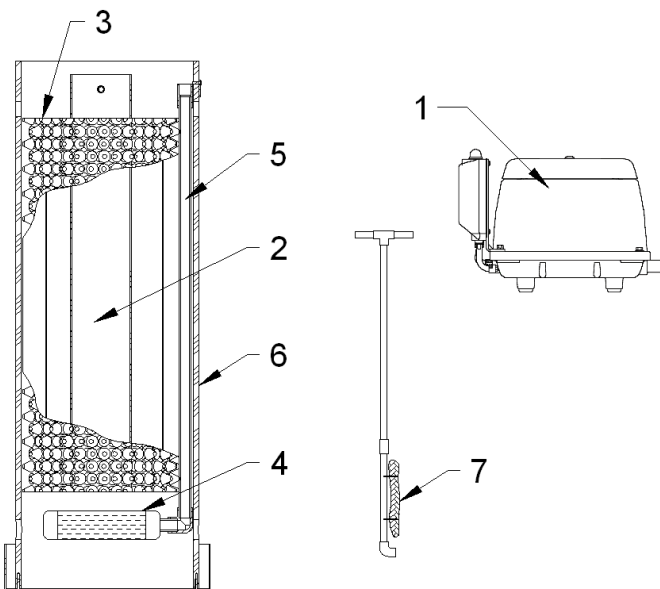


Technical Data Sheet

Aquaworx Remediator - P80

The Aquaworx Remediator P80 is designed to handle larger, commercial wastewater flows. It is the big brother of our residential unit - the P40. The main distinction between the two units is the enhanced Air Pump and Fine Bubble Air Diffuser. The P80 provides increased performance to handle the larger daily flows and higher strength waste common in commercial facilities.



(Not to Scale)

KEY:

1. Linear Air Pump w/ alarm
2. Bacteria Catalyst Chamber
3. Cuspate Plastic Media
4. Fine Bubble Diffuser
5. ½" PVC Air Line
6. 12" PVC Housing
7. Bacteria Catalyst

NOTES:

1. Aquaworx offers design assistance by our Technical Services Department.

Standard Specifications:

- **Dimensions:** 36" (ht) x 14" (dia.), 60 lbs.(wt) w/pump
- **HP 80 Pump:** 120v/60hz/1.6 amps/190 watts
- **Air Delivery Rate:** 3.0 CFM @ 4.6 feet
80 liters/min or 21 gal/min
- **Liquid Mixing Rate:** 30,000 GPD
- **Digestion Rate:** 3-5 lbs/BOD/day
- **Minimum Tank Depth:** 3.5 feet
- **Maximum Tank Depth:** 6.9 feet
- **Maximum Tank Size:** 2500 gal/unit (recommended)
- **Daily Treatment Volume:** max.1000 gpd/single unit*

* multiple units maybe combined for higher flows

Features & Benefits:

- **Natural Restoration Process** combining oxygen & bacteria.
- **Non-Invasive & Cost Effective Solution** – placed in existing septic tank with no major excavation or parking lot damage.
- **Proven ABG Technology** – approximately 4000 Aerobic Bacterial Generators installed since 2001.
- **Design & Technical Support** – over 40 field and inside technical representatives here to support installations.
- **Industry Leadership** – for more than 20 years, Infiltrator Systems has stood behind its products.